

Swash plate type axial piston pumps

斜盘式轴向柱塞泵

# K3V series

K3V112DT

K3V140DT

K3V180DT

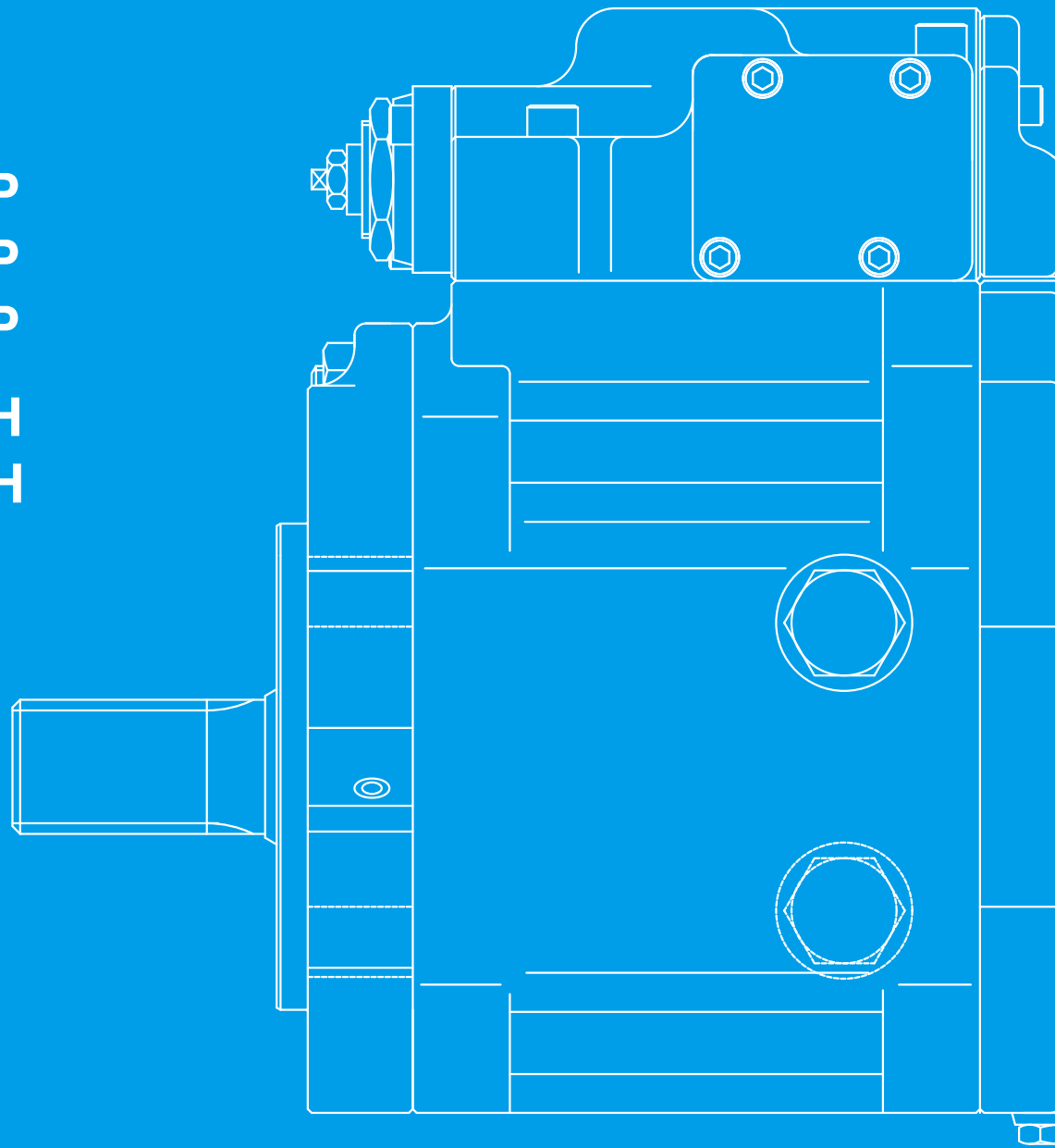
K3V112DTP

K3V140DTP

K3V180DTP

K3V180DTH

K3V280DTH



ORDERING CODE / 型号表示

**K3V 280 DT H 100 R - 2N 01**

K3V series  
K3V系列

Displacement  
排量  
63: 63cm<sup>3</sup>  
112: 112cm<sup>3</sup>  
140: 140cm<sup>3</sup>  
280: 280cm<sup>3</sup>

DT: Tandem type double pump  
串联式双联泵

DP: Parallel type double pump  
并联式双联泵

S: Single pump  
单联泵

Design code of regulator  
调节器设计代码

Regulator code  
调节器代码

Direction of rotation  
旋转方向

R: Clockwise  
右转

L: Counterclockwise  
左转

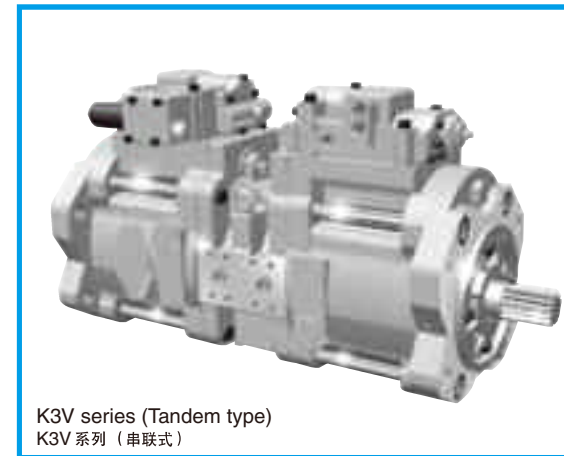
(Viewed from shaft end)  
(从轴端看)

Design code  
设计代码

- : Standard  
标准

H : with Centrifugal pump  
标准带叶轮

P : with PTO  
带PTO



K3V series (Tandem type)  
K3V系列 (串联式)

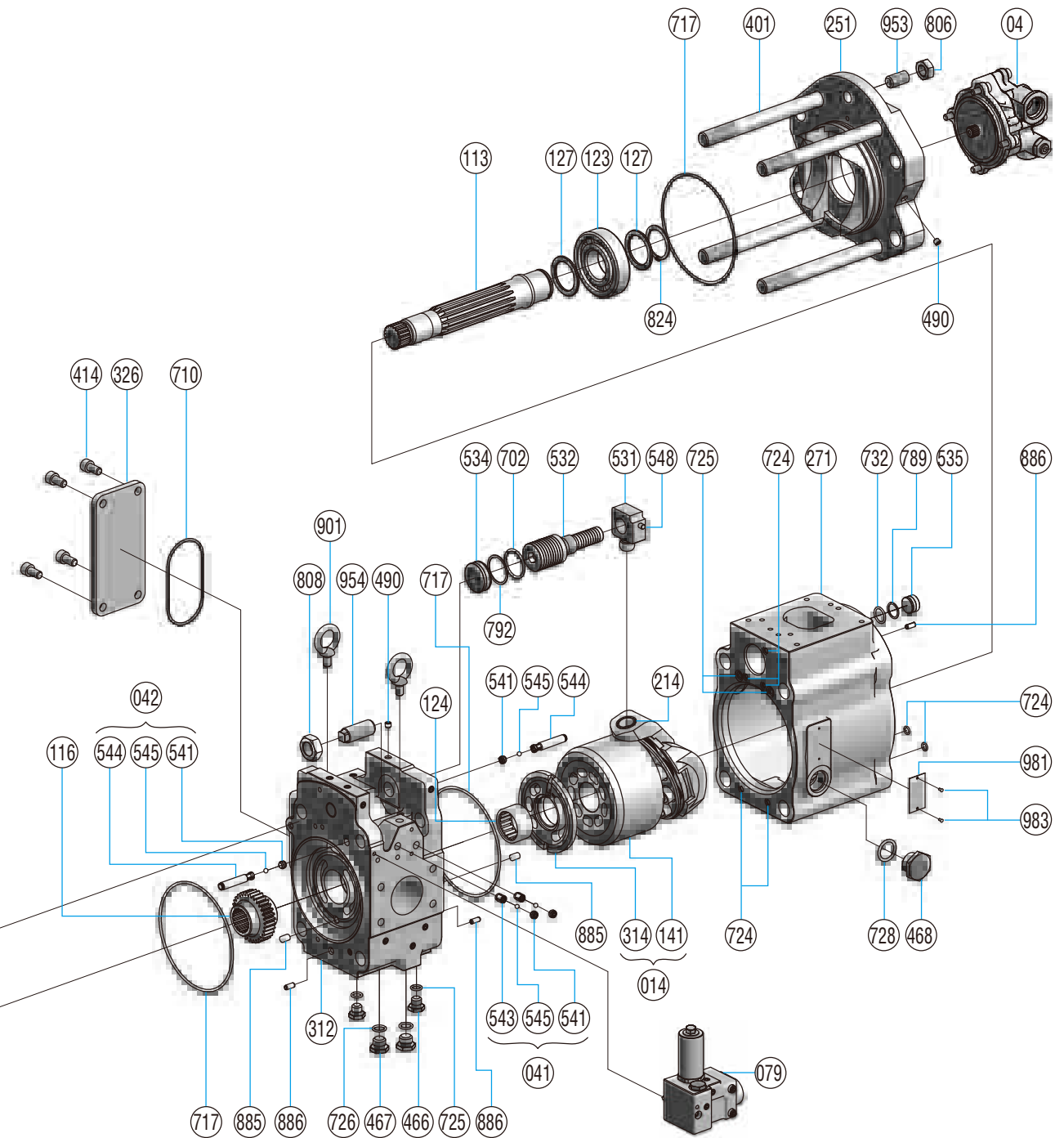
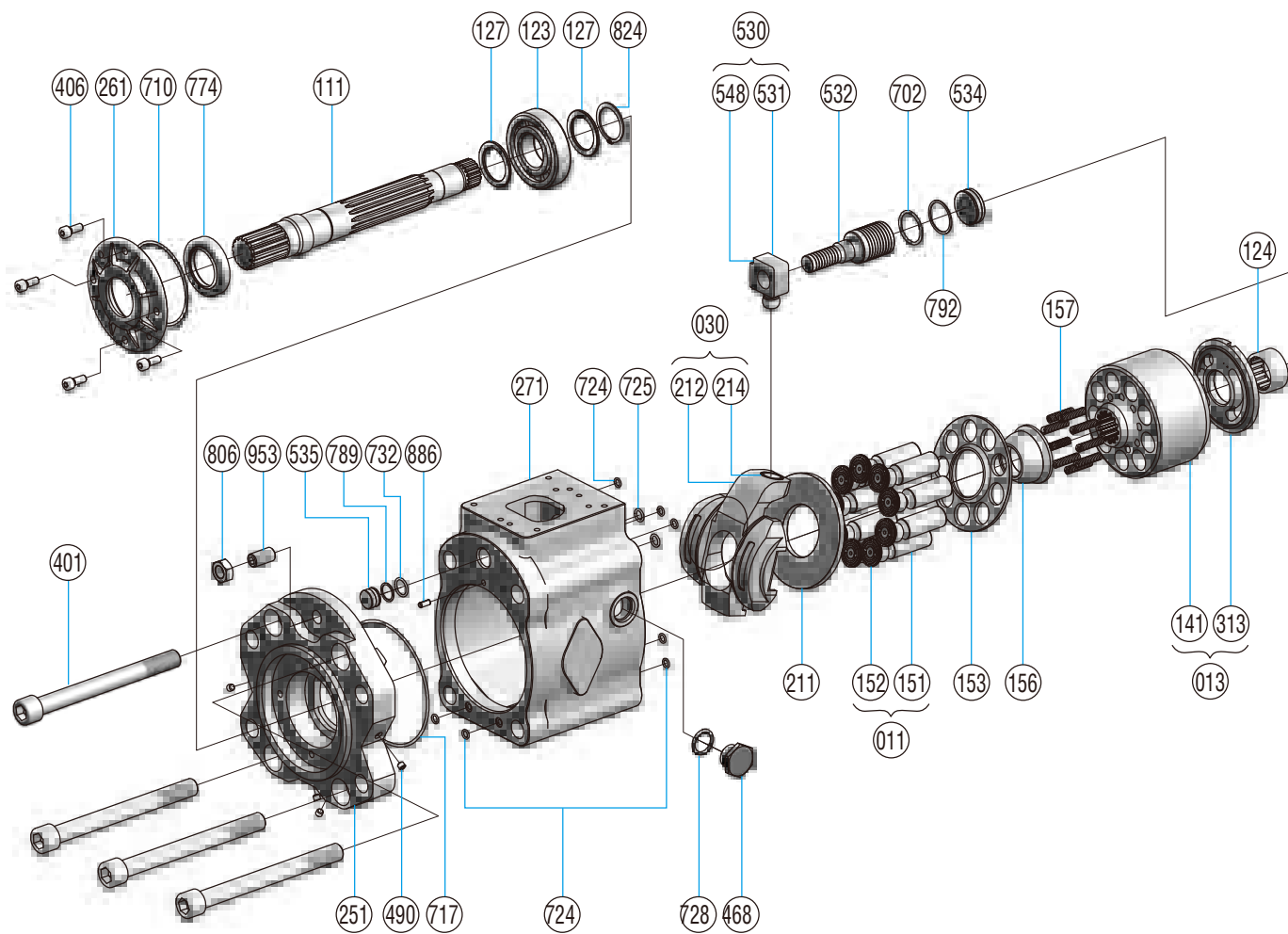


# K3V□□□DTP

## K3V112DTP / K3V140DTP / K3V180DTP

Part No. 零件号	Part Name 零件名称	Q'ty/set 一台的数量
111	Shaft (F), drive 驱动轴(F)	1
113	Shaft (R), drive 驱动轴(R)	1
116	Gear, 1st 一组齿轮	1
123	Bearing, roller 圆柱滚柱轴承	2
124	Bearing, needle 滚针轴承	2
127	Spacer, bearing 轴承垫圈	4
141	Block, cylinder 缸体	2
151	Piston 柱塞	18
152	Shoe 滑靴	18
153	Plate, set 压板	2
156	Bush, spherical 球面衬套	2
157	Spring, cylinder 回程弹簧	18
211	Plate, shoe 滑靴盘	2
212	Plate, swash 斜盘	2
214	Bush, tilting 倾斜衬套	2
251	Support, swash plate 斜盘支撑台	2
261	Cover (F), seal 油封盖(F)	1
271	Casing, pump 泵体	2
312	Block, valve 配油壳体	1

Part No. 零件号	Part Name 零件名称	Q'ty/set 一台的数量
313	Plate (R), valve 配油盘(R)	1
314	Plate (L), valve 配油盘(L)	1
326	Cover 盖	1
401	Hexagon socket head cap screw 内六角螺栓	8
406	Hexagon socket head cap screw 内六角螺栓	4
414	Hexagon socket head cap screw 内六角螺栓	4
466	Plug 油塞	2
467	Plug 油塞	2
468	Plug 油塞	4
490	Plug 沉栓	27
531	Pin, tilting 倾斜销	2
532	Piston, servo 伺服柱塞	2
534	Stopper (L) 挡柱(L)	2
535	Stopper (S) 挡柱(S)	2
541	Seat 阀座	4
543	Stopper 1 挡柱1	2
544	Stopper 2 挡柱2	2
545	Ball, steel 钢球	4
548	Pin, feed back 反馈销	2



Part No. 零件号	Part Name 零件名称	Q'ty/set 一台的数量
702	O-ring O形密封圈	2
710	O-ring O形密封圈	2
717	O-ring O形密封圈	4
724	O-ring O形密封圈	16
725	O-ring O形密封圈	6
726	O-ring O形密封圈	2
728	O-ring O形密封圈	4
732	O-ring O形密封圈	2
774	Seal, oil 油封	1
789	Ring, back-up 挡圈	2
792	Ring, back-up 挡圈	2
806	Hexagon nut 六角螺母	2
808	Hexagon nut 六角螺母	2
824	Retaining ring 弹性挡环	2
885	Pin, valve plate 配油盘销	2

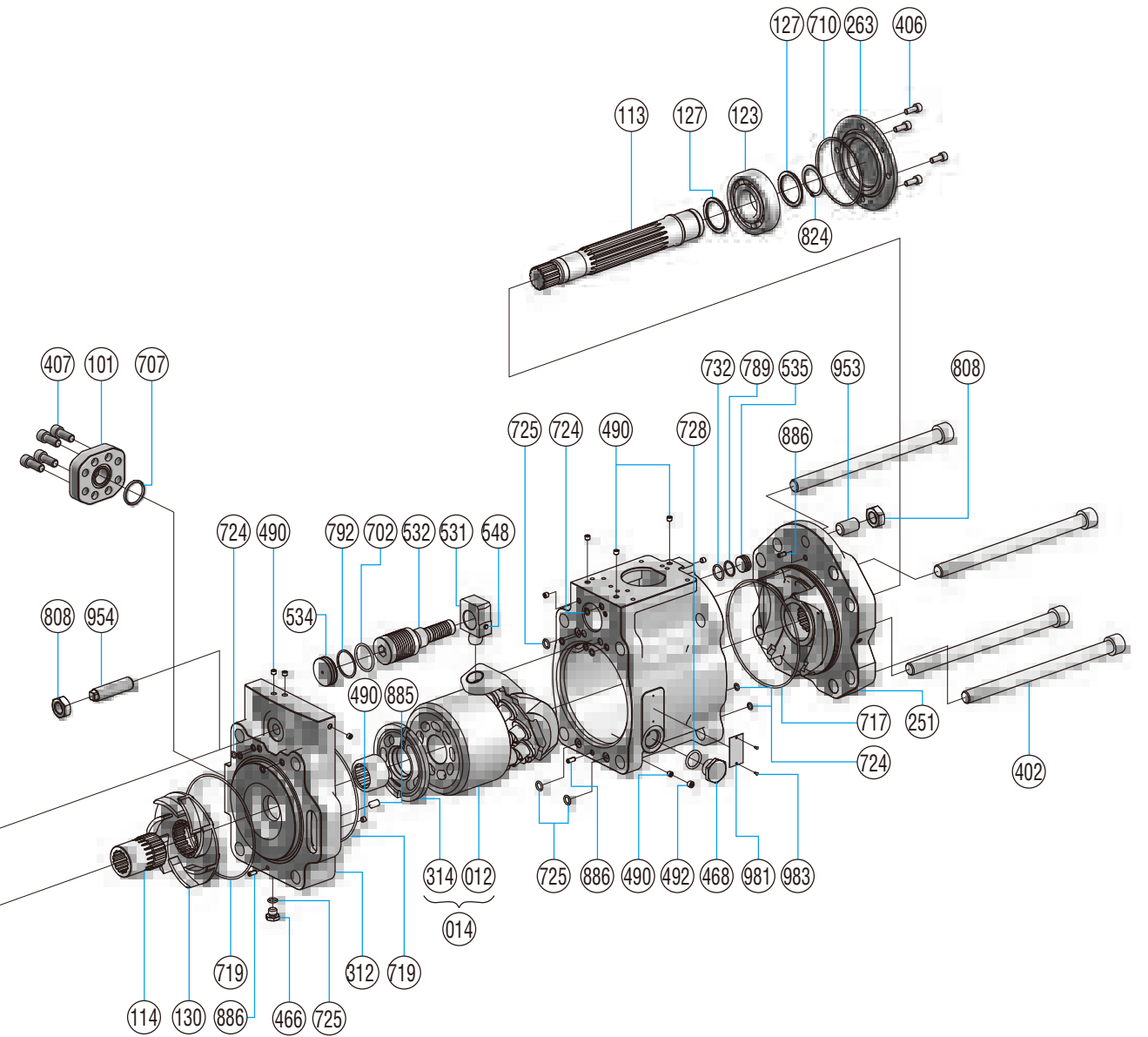
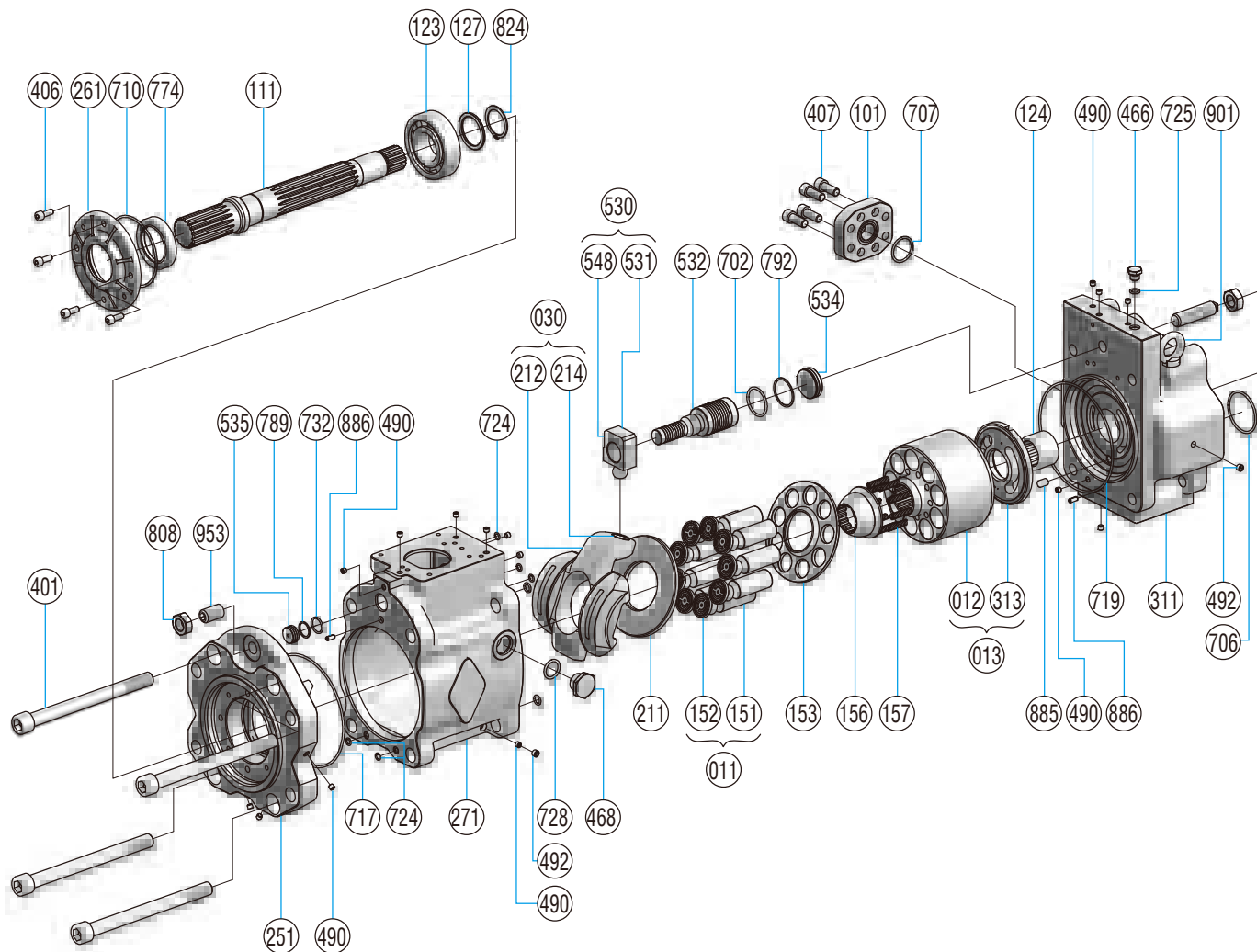
Part No. 零件号	Part Name 零件名称	Q'ty/set 一台的数量
886	Pin, spring 弹簧销	4
901	Bolt, eye 吊环螺栓	2
953	Screw, set 内六角定位螺钉	2
954	Screw, set 定位螺钉	2
981	Plate, name 铭牌	1
983	Rivet 铆钉	2
04	Pump, gear 齿轮泵	1st
011	Assembly, piston 柱塞组件	2st
013	Assembly, cylinder (R) 缸体组件(R)	1st
014	Assembly, cylinder (L) 缸体组件(L)	1st
030	Assembly, swash plate 斜盘组件	2st
041	Assembly, check valve 1 单向阀1组件	2st
042	Assembly, check valve 2 单向阀2组件	2st
079	Assembly, proportional reducing valve 电磁比例减压阀壳体组件	1st
530	Assembly, tilting pin 倾斜销组件	2st

# K3V□□□DTH

## K3V180DTH / K3V280DTH

Part No. 零件号	Part Name 零件名称	Q'ty/set 一台的数量
101	Sub plate C	2
111	Shaft (F), drive	1
113	Shaft (R), drive	1
114	Coupling, spline	1
123	Bearing, roller	2
124	Bearing, needle	2
127	Spacer, bearing	3
130	Booster	1
012	Block, cylinde	2
151	Piston	18
152	Shoe	18
153	Plate, set	2
156	Bush spherical	2
157	Spring, cylinder	18
211	Plate, shoe	2
212	Plate, swash	2

Part No. 零件号	Part Name 零件名称	Q'ty/set 一台的数量
214	Bush, tilting	2
251	Support, swash plate	2
261	Cover (F), seal	1
263	Cover (R), seal	1
271	Casing, pump	2
311	Cover (F), valve	1
312	Cover (R), valve	1
313	Plate (R), valve	1
314	Plate (L), valve	1
401	Hexagon socket head cap screw	4
402	Hexagon socket head cap screw	4
406	Hexagon socket head cap screw	8
407	Hexagon socket head cap screw	8
466	Plug	4
468	Plug	4
490	Plug	32



Part No. 零件号	Part Name 零件名称	Q'ty/set 一台的数量
492	Plug	5
531	Pin, tilting	2
532	Piston, servo	2
534	Stopper (L)	2
535	Stopper (S)	2
548	Pin, feed back	2
702	O-ring	2
706	O-ring	1
707	O-ring	2
710	O-ring	2
717	O-ring	2
719	O-ring	3
724	O-ring	15
725	O-ring	10
728	O-ring	4
732	O-ring	2
774	Seal, oil	1

Part No. 零件号	Part Name 零件名称	Q'ty/set 一台的数量
789	Ring, back-up	2
792	Ring, back-up	2
808	Hexagon nut	4
824	Retaining ring	2
885	Pin, valve plate	2
886	Pin, spring	5
901	Bolt, eye	2
953	Screw, set	2
954	Screw, set	2
981	Plate, name	1
983	Rivet	2
011	Assembly, piston	2st
013	Assembly, cylinder (R)	1st
014	Assembly, cylinder (L)	1st
030	Assembly, swash plate	2st
530	Assembly, tilting pin	2st

Swash plate type axial piston motors

斜盘式轴向柱塞马达

# M2X/M5X series

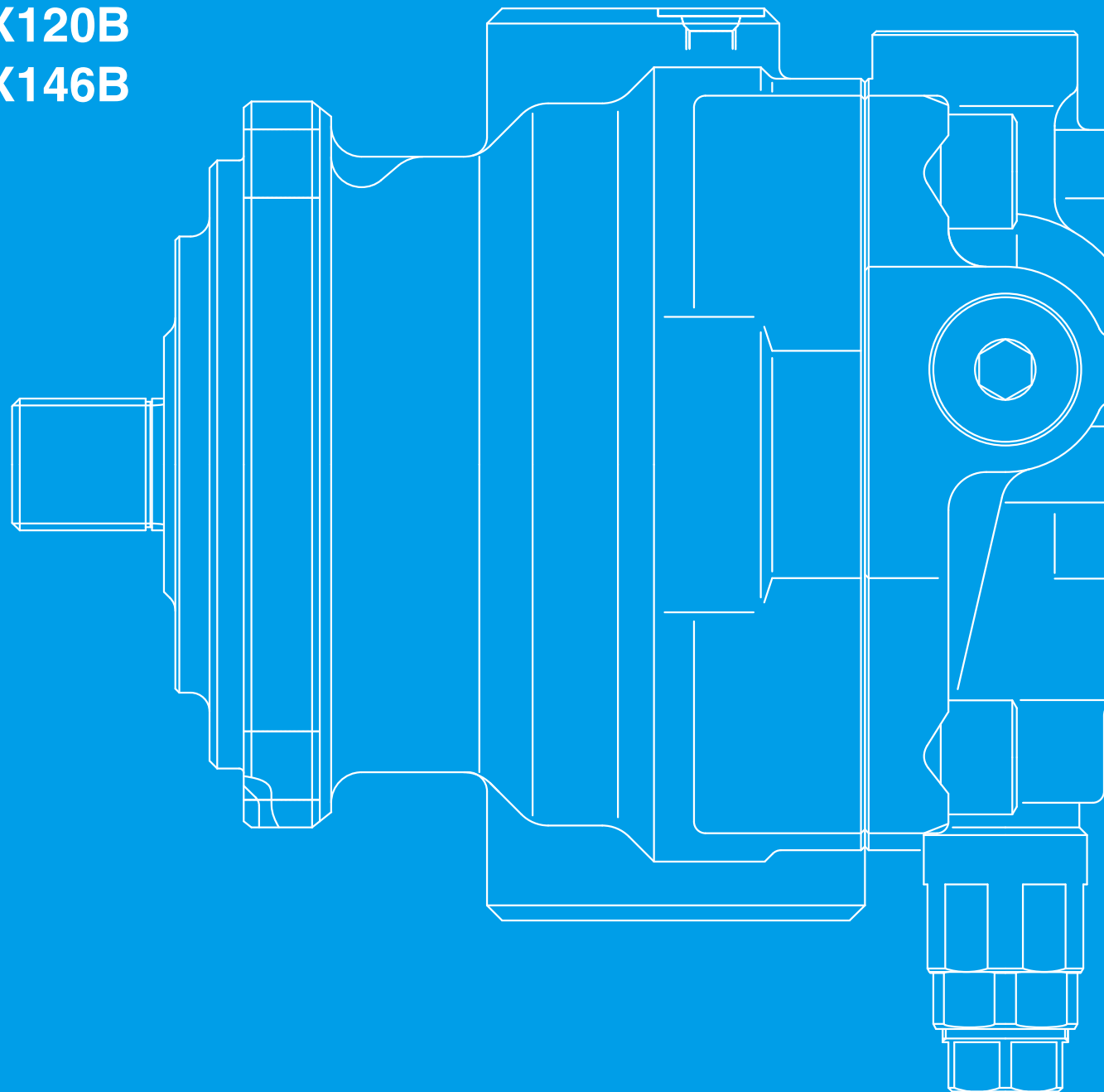
M5X130

M5X180

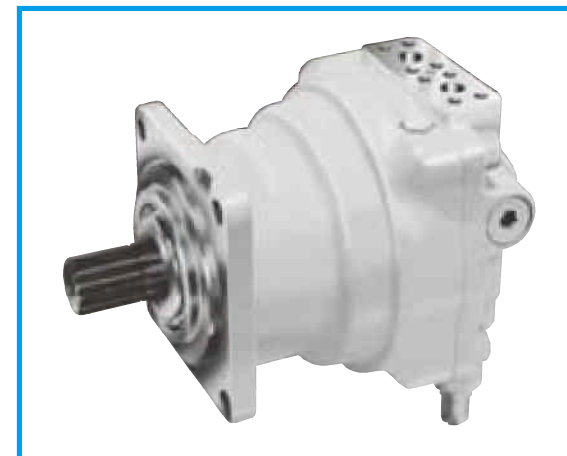
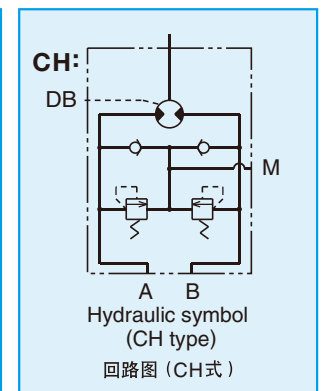
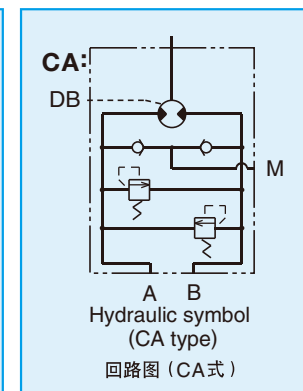
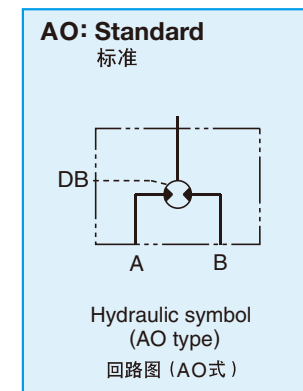
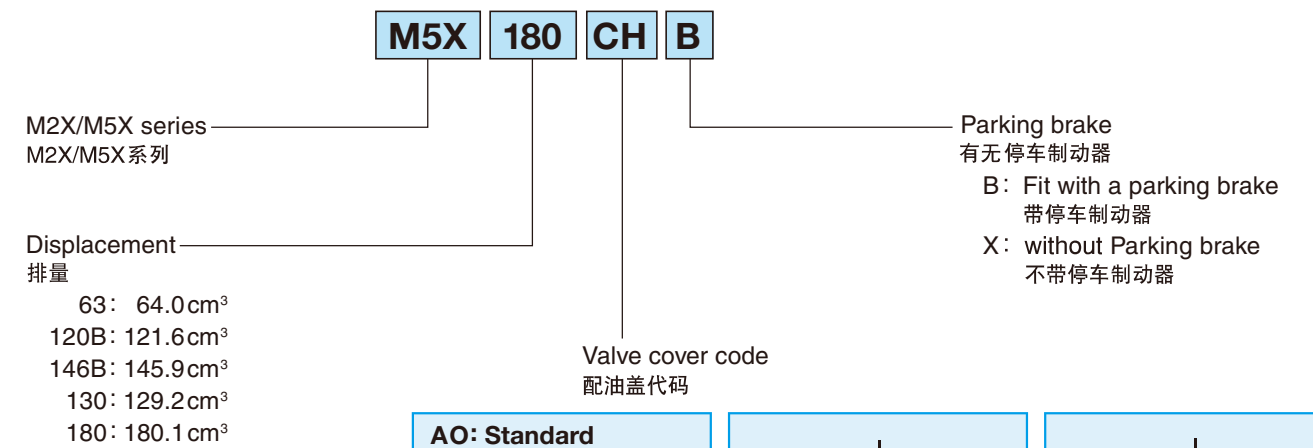
M2X63

M2X120B

M2X146B



ORDERING CODE / 型号表示

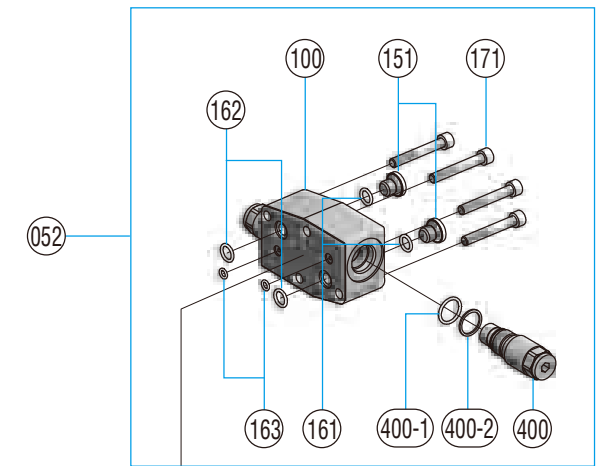
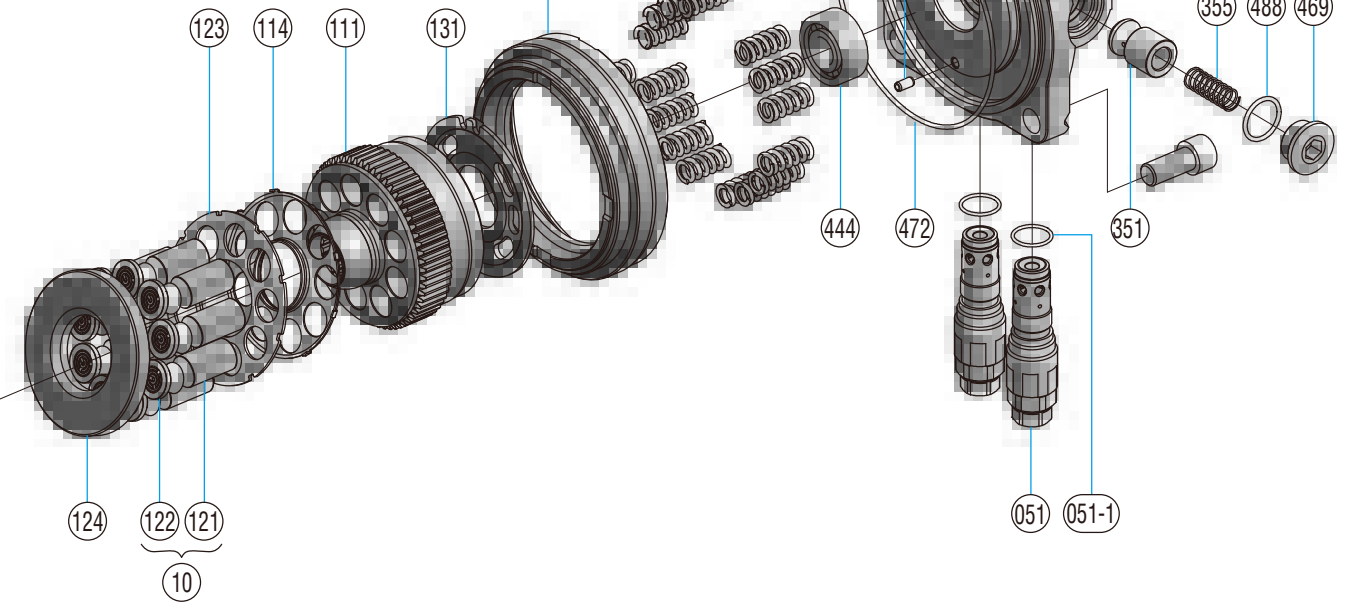
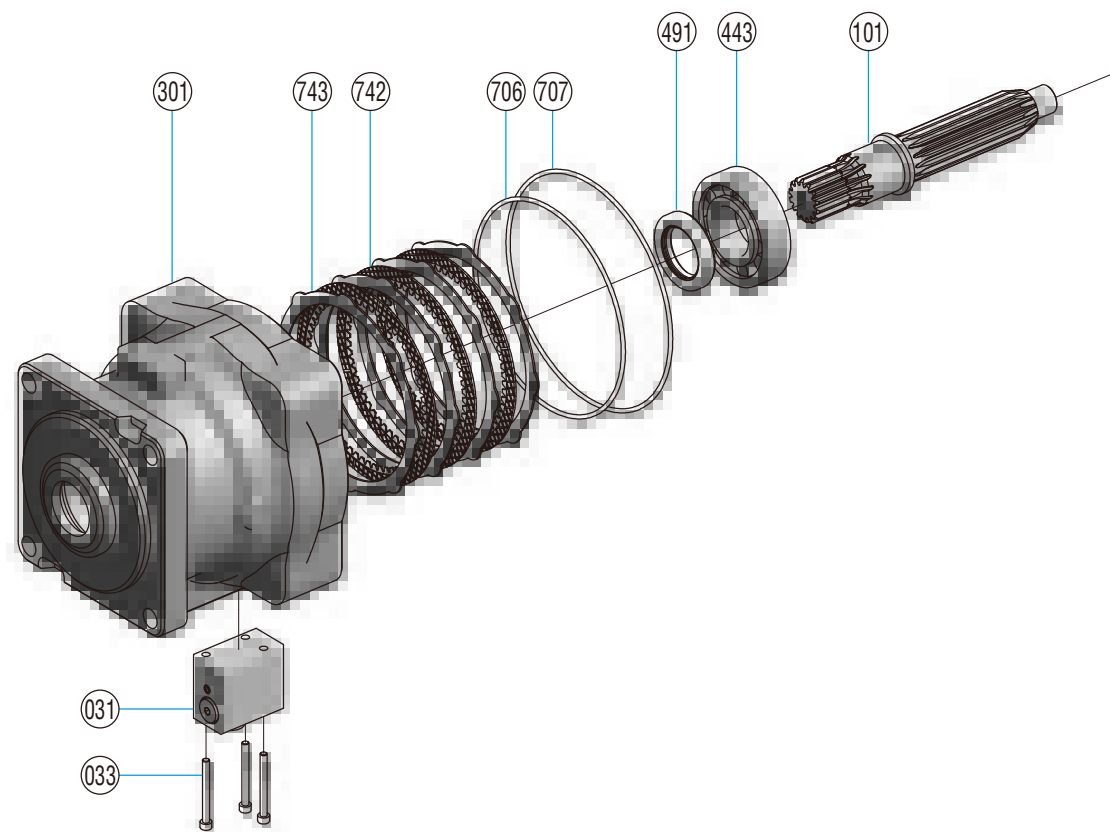


# M5X

## M5X130 / M5X180

Part No. 零件号	Part Name 零件名称	Q'ty/set 一台的数量
10	Assembly, piston	1st
121	Piston	9
122	Shoe	9
20	Assembly, valve casing	1st
303	Casing, valve	1
451	Pin	2
101	Shaft, drive	1
111	Cylinder	1
114	Spring, plate	1
123	Plate, set	1
124	Plate, shoe	1
131	Plate, valve	1
301	Casing	1
351	Plunger	2
355	Spring	2
390	Plate, name	1
391	Rivet	2
401	Hexagon socket head cap screw	4
443	Bearing, roller	1
444	Bearing, roller	1
469	Plug	2
472	O-ring	1

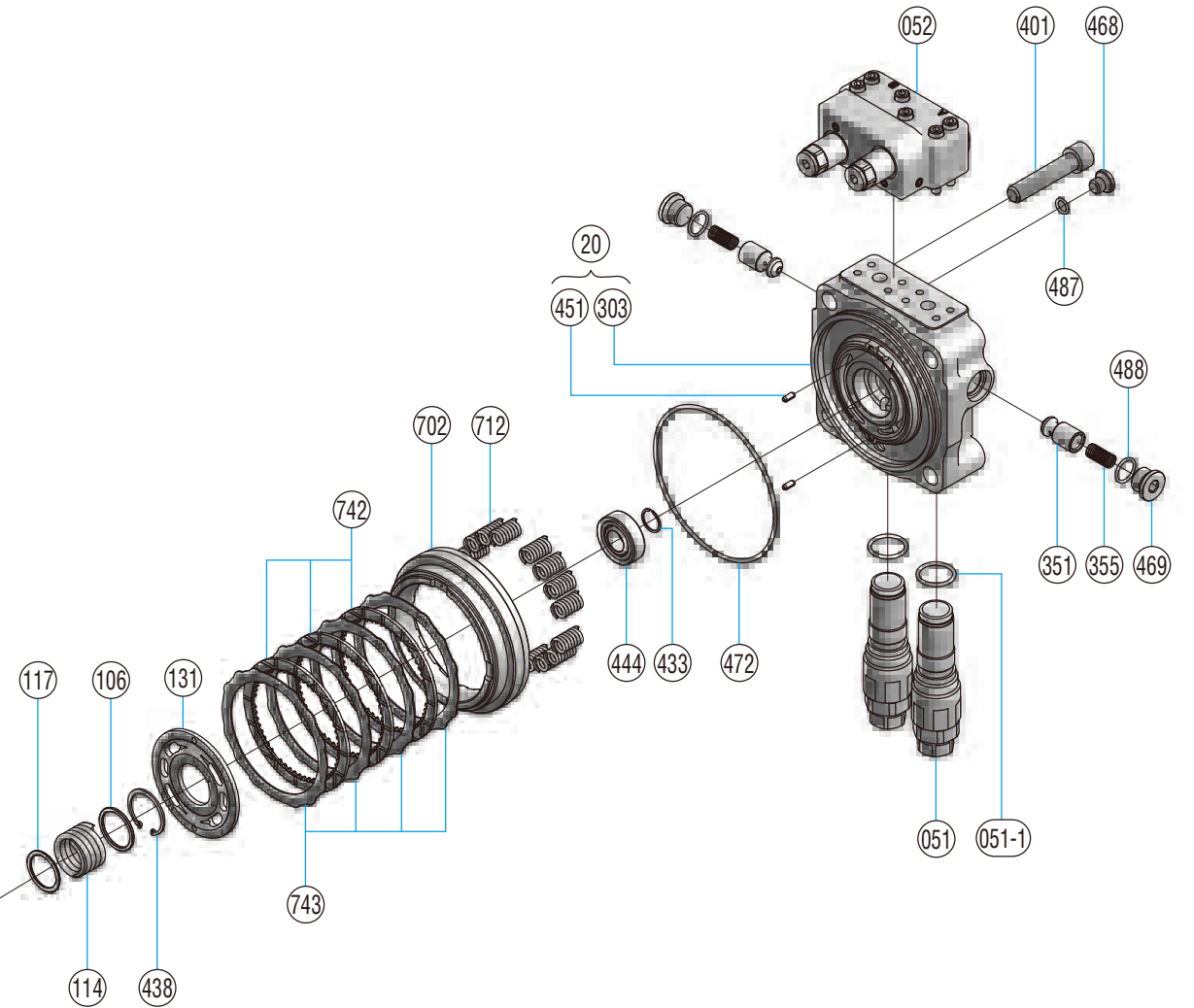
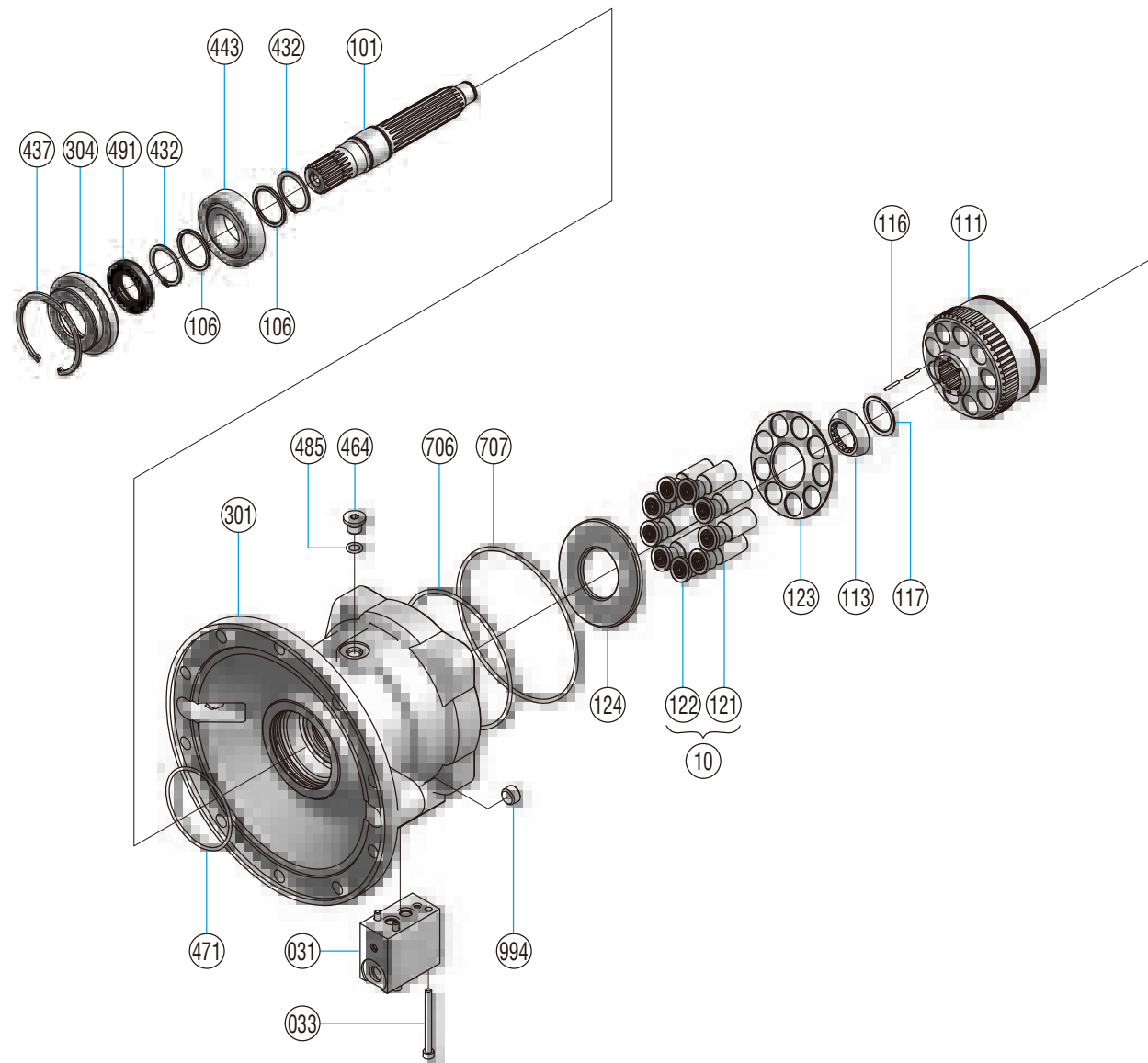
Part No. 零件号	Part Name 零件名称	Q'ty/set 一台的数量
488	O-ring	2
491	Seal, oil	1
702	Piston, brake	1
706	O-ring	1
707	O-ring	1
712	Spring, brake	(24)
742	Plate, friction	3
743	Plate, separator	4
031	Valve, time delay	1st
033	Hexagon socket head cap screw	3
051	Valve, relief	2st
(051-1)	O-ring	2
052	Assembly, anti-reaction valve	1st
100	Casing	1
151	Plug	2
161	O-ring	2
162	O-ring	2
163	O-ring	2
171	Hexagon socket head cap screw	4
400	Anti-reaction valve	2
(400-1)	O-ring	2
(400-2)	Ring, back-up	2



# M2X63

Part No. 零件号	Part Name 零件名称	Q'ty/set 一台的数量
10	Assembly, piston 柱塞组件	1st
121	Piston 柱塞	9
122	Shoe 滑靴	9
20	Assembly, valve casing 阀体组件	1st
303	Casing, valve 阀体	1
451	Pin 销	2
101	Drive shaft 驱动轴	1
106	Spacer 衬垫	3
111	Cylinder 缸体	1

Part No. 零件号	Part Name 零件名称	Q'ty/set 一台的数量
113	Retainer 球面衬套	1
114	Cylinder spring 回程弹簧	1
116	Push rod 推杆	12
117	Spacer 衬垫	2
123	Set plate 回程盘	1
124	Shoe plate 滑靴盘	1
131	Valve plate 配油盘	1
301	Casing 壳体	1
304	Front cover 前盖	1



Part No. 零件号	Part Name 零件名称	Q'ty/set 一台的数量
351	Plunger 滑阀套	2
355	Spring 弹簧	2
401	Hexagon socket head cap screw 内六角螺栓	4
432	Retaining ring 止动环	2
433	Ring 挡圈	1
437	Retaining ring 锁紧圈	1
438	Retaining ring 锁紧圈	1
443	Roller bearing 圆柱滚柱轴承	1
444	Roller bearing 圆柱滚柱轴承	1
464	Plug 油塞	1
468	Plug 油塞	2
469	Plug 油塞	2
471	O-ring O形密封圈	1
472	O-ring O形密封圈	1
485	O-ring O形密封圈	1

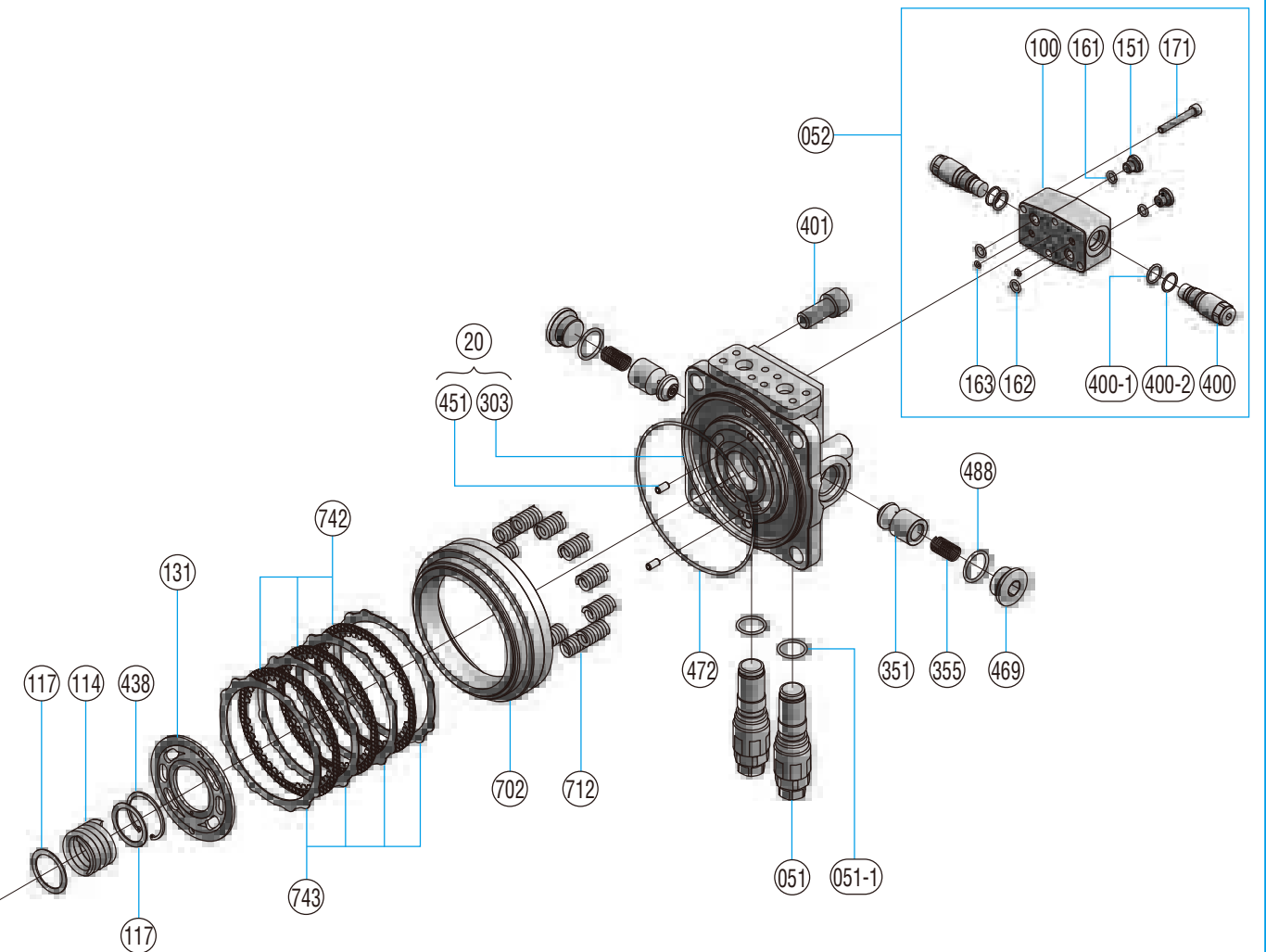
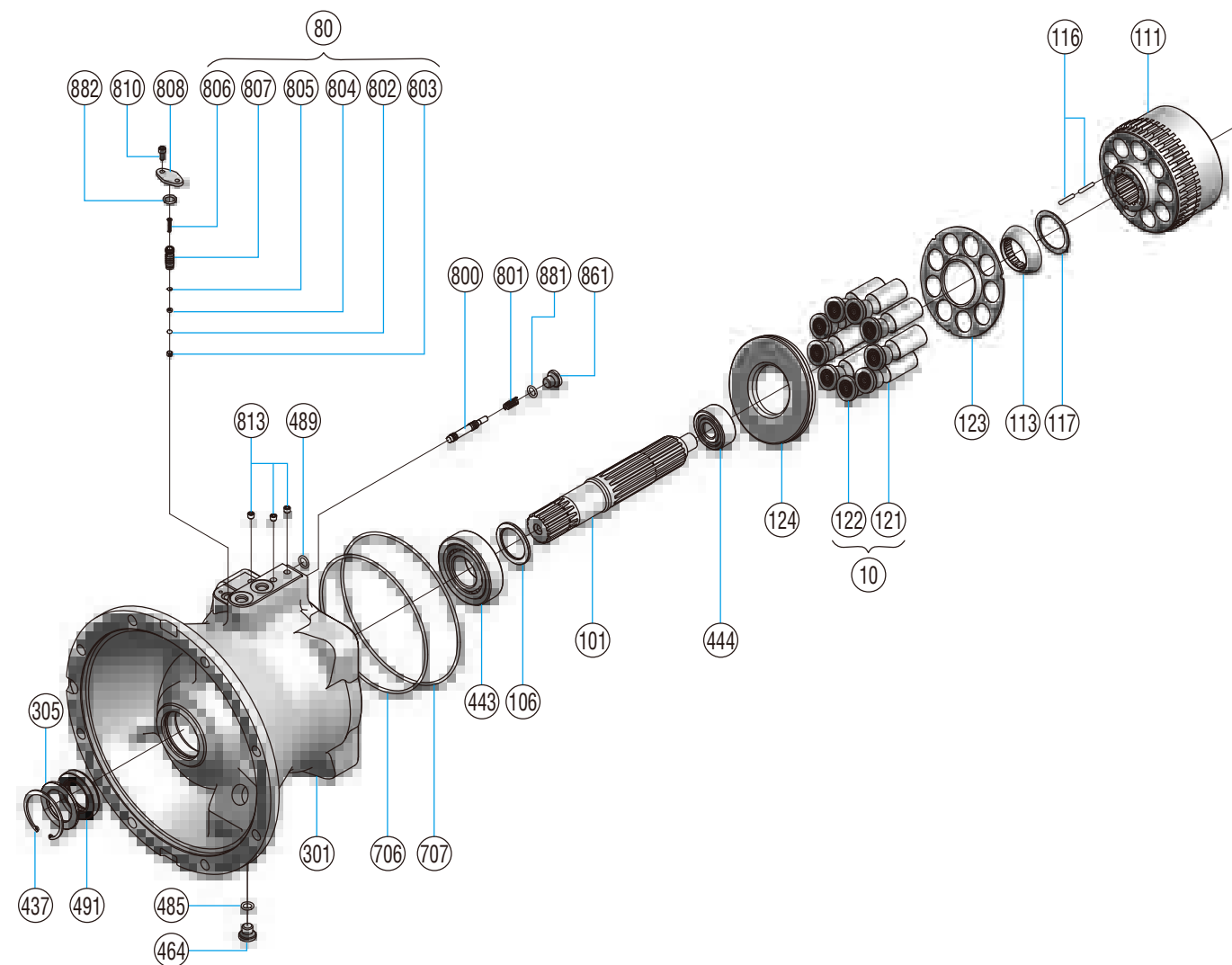
Part No. 零件号	Part Name 零件名称	Q'ty/set 一台的数量
487	O-ring O形密封圈	2
488	O-ring O形密封圈	2
491	Oil seal 油封	1
702	Brake piston 制动活塞	1
706	O-ring O形密封圈	1
707	O-ring O形密封圈	1
712	Brake spring 制动弹簧	20
742	Friction plate 摩擦片	3
743	Separator plate 分离片	4
031	Time delay valve 延迟阀	1st
033	Hexagon socket head cap screw 内六角螺栓	3
051	Relief valve 溢流阀	2st
(051-1)	O-ring O形密封圈	2
052	Assembly, anti-reaction valve 防逆转阀组件	1st
994	Plug 油塞	1

# M2X

## M2X120B / M2X146B

Part No. 零件号	Part Name 零件名称	Q'ty/set 一台的数量
10	Assembly, piston	1st
121	Piston	9
122	Shoe	9
20	Assembly, valve casing	1st
303	Casing, valve	1
451	Pin	2
101	Drive shaft	1
106	Bearing spacer	1
111	Cylinder	1
113	Retainer	1
114	Cylinder spring	1
116	Push rod	12
117	Spacer	3
123	Set plate	1
124	Shoe plate	1

Part No. 零件号	Part Name 零件名称	Q'ty/set 一台的数量
131	Valve plate	1
301	Casing	1
305	Seal cover	1
351	Plunger	2
355	Spring	2
401	Hexagon socket head cap screw	4
437	Retaining ring	1
438	Retaining ring	1
443	Roller bearing	1
444	Roller bearing	1
464	Plug	1
469	Plug	2
472	O-ring	1
485	O-ring	1
488	O-ring	2



Part No. 零件号	Part Name 零件名称	Q'ty/set 一台的数量
489	O-ring	O形密封圈 1
491	Oil seal	油封 1
702	Brake piston	制动活塞 1
706	O-ring	O形密封圈 1
707	O-ring	O形密封圈 1
712	Brake spring	制动弹簧 (24)
742	Friction plate	摩擦片 3
743	Separator plate	分离片 4
800	Spool	滑阀 1
801	Spring	弹簧 1
80	Assembly, plunger	阀套组件 1st
802	Filter	滤油器 1
803	Retainer	护圈 1
804	Spacer	衬垫 1
805	Orifice	节流板 1
806	Spring	弹簧 1
807	Plunger	阀套 1
808	Cover	盖 1

Part No. 零件号	Part Name 零件名称	Q'ty/set 一台的数量
810	Hexagon socket head cap screw	内六角螺栓 2
813	Plug	油塞 3
861	Plug	油塞 1
881	O-ring	O形密封圈 1
882	O-ring	O形密封圈 1
051	Relief valve	溢流阀 2st
(051-1)	O-ring	O形密封圈 2
052	Assembly, anti-reaction valve	防逆转阀组件 1st
100	Casing	壳体 1
161	Plug	油塞 2
162	O-ring	O形密封圈 2
163	O-ring	O形密封圈 2
171	Hexagon socket head cap screw	内六角螺栓 4
400	Anti-reaction valve	防逆转阀 2st
(400-1)	O-ring	O形密封圈 2
(400-2)	Back-up ring	挡圈 2